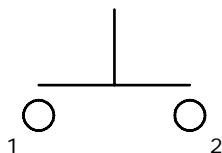


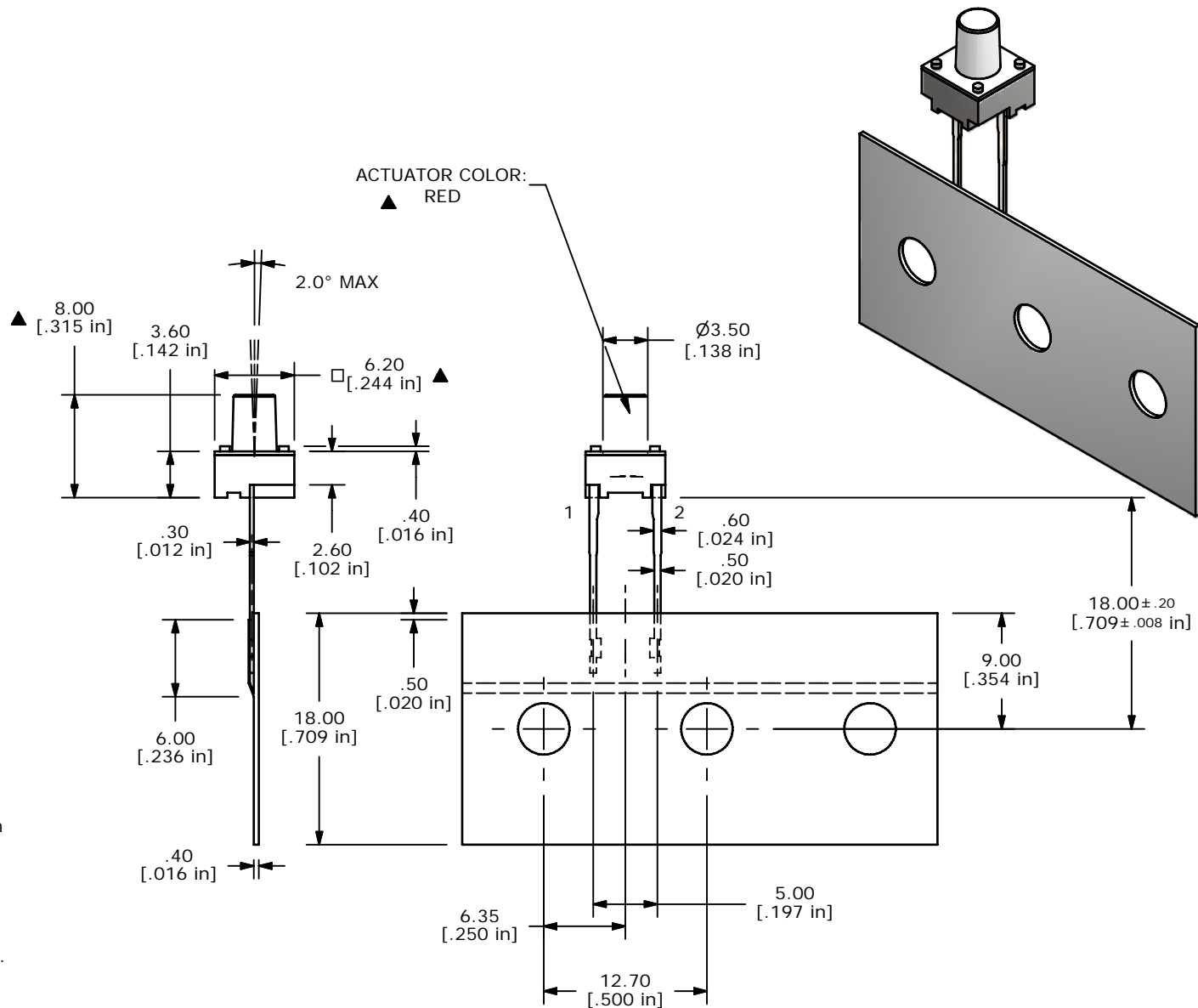
PC MOUNTING



CIRCUIT SPST

NOTES:

1. ALL DIMENSIONS IN MM [INCH]
2. GENERAL TOLERANCE: X.X±0.4mm
X.XX±0.25mm
3. CONTACT RATING: 50mA @ 12VDC
- ▲ 4. CONTACT MATERIAL: SILVER
- ▲ 5. OPERATING FORCE: 260±50gf
6. TRAVEL: 0.25 +0.2/-0.1mm
7. CONTACT RESISTANCE: 100mΩ MAX.
8. ELECTRICAL LIFE: 100,000 CYCLES
9. PACKAGING: 1,000 PCS RADIAL
10. 2002/95/EC (ROHS) COMPLIANT
11. ▲ DENOTES CRITICAL PRAMETERS.



TITLE TL59CF260Q				
SCALE 2:1	DATE 10/25/2012	DR rc	DWG P010563	REV A

A	20850	New Release	10/25/12	rc
REV	PCR NO	DESCRIPTION	DATE	BY
THE INFORMATION CONTAINED IN THIS DOCUMENT IS PROPRIETARY TO E-SWITCH AND IS NOT TO BE COPIED OR TRANSFERRED				